



ATEX Approved Hazardous Area Telephone



- **Ex II 2 G ATEX certified telephone**
- **CE (R&TTE Directive 1999/5/EC and ATEX Product Directive 94/9/EC)**
- **IEC Ex certified**
- **Fully compliant with TBR21 / TBR38**
- **Full keypad with 3 programmable memory buttons, or CB variant**
- **Headset Option**
- **90dB sounder (adjustable)**
- **Secondary beacon / external sounder actuator**
- **Robust and weather resistant up to IP66**
- **Industry standard robust handset c/w curly cord or armoured stainless steel.**
- **Noise cancelling versions available.**
- **Dual purpose design for wall or desk mounting, simple installation**

The Auteldac 4 (A4) telephone has secured ATEX approval to provide a tough, weather resistant unit built to withstand arduous industrial atmospheres and environmental extremes.

Certified for safe operation in hazardous areas, the Auteldac 4 body is made from carbon loaded glass filled polyester to eliminate rust and corrosion. The handset has a choice of armoured stainless steel or curly cords.

The elimination of moving parts maintains a high level of reliability to industrial and weather resistant telephones.

Features such as 'electronic on-hook sensing' and 'electronic tone ringer' enable an enclosure protection up to IP66. Should the handset be left off-hook, the A4 will automatically revert to on-hook state after a period of 6-8 minutes (this option can be disabled).

Auteldac 4 telephones come complete with an integral ringer with volume control and secondary beacon / external sounder actuator as standard. An inductive coupler is fitted to aid the hard of hearing.

For hands-free telephone use, the Auteldac 4 has the option of a headset.

Auteldac 4 Models

Options are full 18 button keypad, or zero for the CB (central battery) version.

Keypad Diallers:

Included in the 18 button version, are 3 memory buttons for fast one-touch dialling of pre-stored numbers or accessing low-cost call facilities

M1- M3	Memory buttons
'R'	'Recall',
'LR'	'Last number redial'
'S'	Store

These models are configurable to be compatible with most PABX, PBX and PAX systems. Loop disconnect (LD) and Tone dialling (DTMF) systems are internally selectable, as are a choice of recall systems, Timed Break Recall (TBR) and Earth Loop Recall (ELR).

CB (Central Battery) Telephone:

This can be used as a 'hotline' or lift handset and wait for reply, where the exchange does the call routing/dialling.



TECHNICAL SPECIFICATIONS (please refer to technical manual for full product details)

Enclosure:

Carbon loaded glass-filled polyester (colour: black)

Surface resistance: <math> < 10^9 </math> ohms

Handset:

Conductively coated polycarbonate handset with coiled cord or stainless steel spiral cord. Noise cancelling options available. Extended cord lengths available.

Keypad:

Weathersealed tactile digital keypad

Hookswitch:

Electronic with no mechanical moving parts

Degree of protection: Up to IP66

Ringing: Shrill warble tone >90 dBA @ 1 metre typical. Internal volume control.

Power Supply: Drawn from telephone line

Integral Ring Detector:

Contact closure following the ringing cadence, rated at 250Vac, 5A.

Isolated hookswitch sensor:

Additional contact rated at 250Vac, 150mA

Parallel Terminal Block:

Duplicated line terminals allows connection to a parallel device without an additional junction box.

Time Out:

Enforces a fixed call maximum time limit to 6-8 minutes from lifting of the handset. User selectable.

Dialling system:

LD or DTMF (switchable)

Recall Button:

Internally switchable from Earth Loop Recall (600ms pulse) and Timed Break Recall 98ms, 250ms or 604ms.

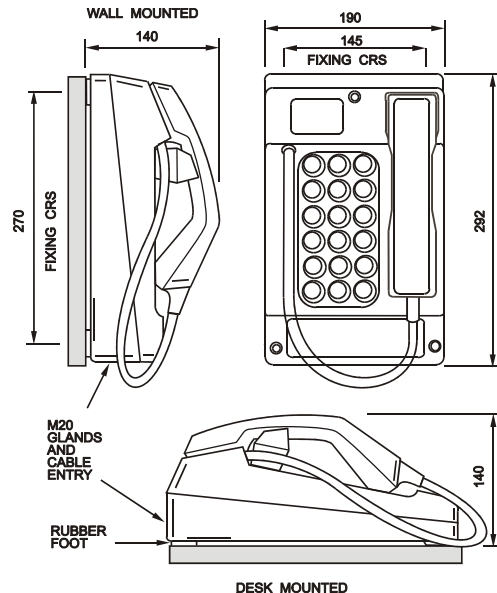
Certified Operating Temperature:

-20° C to +50° C

Relative Humidity: Up to 95% (non-condensing)

Weight: approx. 3.1 kg

DIMENSIONS:



ORDER CODE

Auteldac 4 Curly Cord

18btn standard unit	212-02-2008-031
18btn + headset socket*	212-02-2008-231
CB standard unit	212-02-2000-031
CB + headset socket*	212-02-2000-231

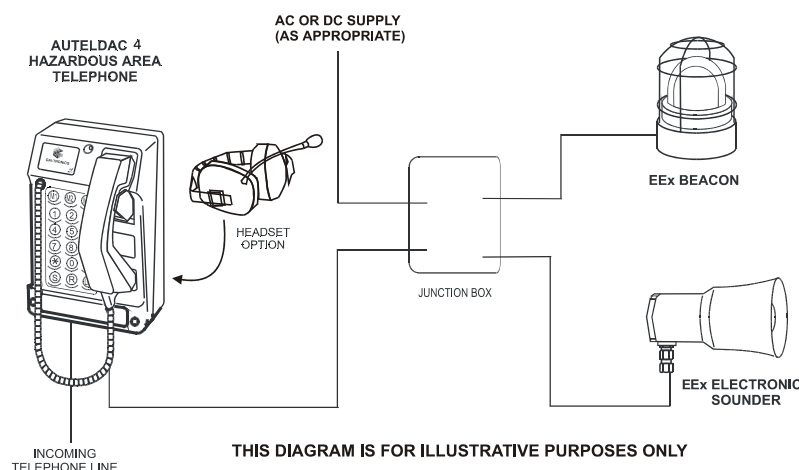
Auteldac 4 Stainless Steel Cord

18btn standard unit	212-02-2008-020
18btn + headset socket*	212-02-2008-220
CB standard unit	212-02-2000-020
CB + headset socket*	212-02-2000-220

Headset & Plug for Auteldac 4

*Headset and plug	100-02-0598-001
Extension Cord for Headset	610-35-2036-001

CONNECTION OPTIONS



APPROVALS

Telephone compliance
 Ex II 2 G EEx e m ib IIC T5
 (-20°C ≤ T_a ≤ 50°C)
 Baseefa03ATEX0617

Headset compliance
 IECEx BAS 05.0060
 Ex e m ib IIC T5
 (-20°C ≤ T_a ≤ 50°C)

Ex II 2 G EEx ib IIC T4
 (-20°C ≤ T_a ≤ 40°C)
 TUV03ATEX2124

CE
 This mark indicates compliance with the following directives;
 R&TTE Directive 1999/5/EC
 ATEX Product Directive 94/9/EC
 Tested to TBR21 / TBR38

The GAI-Tronics Quality Management System has been approved by LRQA to ISO9001-2000. Certificate No. 861888



GAI-Tronics, UK - Tel: +44 (0)1283 500500 - Fax: +44 (0)1283 500400 - www.gai-tronics.co.uk

GAI-Tronics Corporation, USA - Tel: +1(610) 777 1374 - Toll Free: 800 492 1212 - Fax: +1(610) 775 6540 - www.gai-tronics.com

GAI-Tronics S.r.l., Italy - Tel: +39 02 48601 460 - Fax: +39 02 4585 625

GAI-Tronics Corporation, Malaysia - Tel: +60 3 8945 4035 - Fax: +60 3 8945 4675

An ISO9001-2000 Registered Company

The policy of GAI-Tronics is one of continuous improvement, therefore the company reserves the right to change specifications without notice.